

## B39 BLUELIFT

### The BLUELIFT Series

Italian manufacturer Bluelift features the first ever compact lift which is truly a hybrid powered boom, combining a lithium battery with a combustion engine.

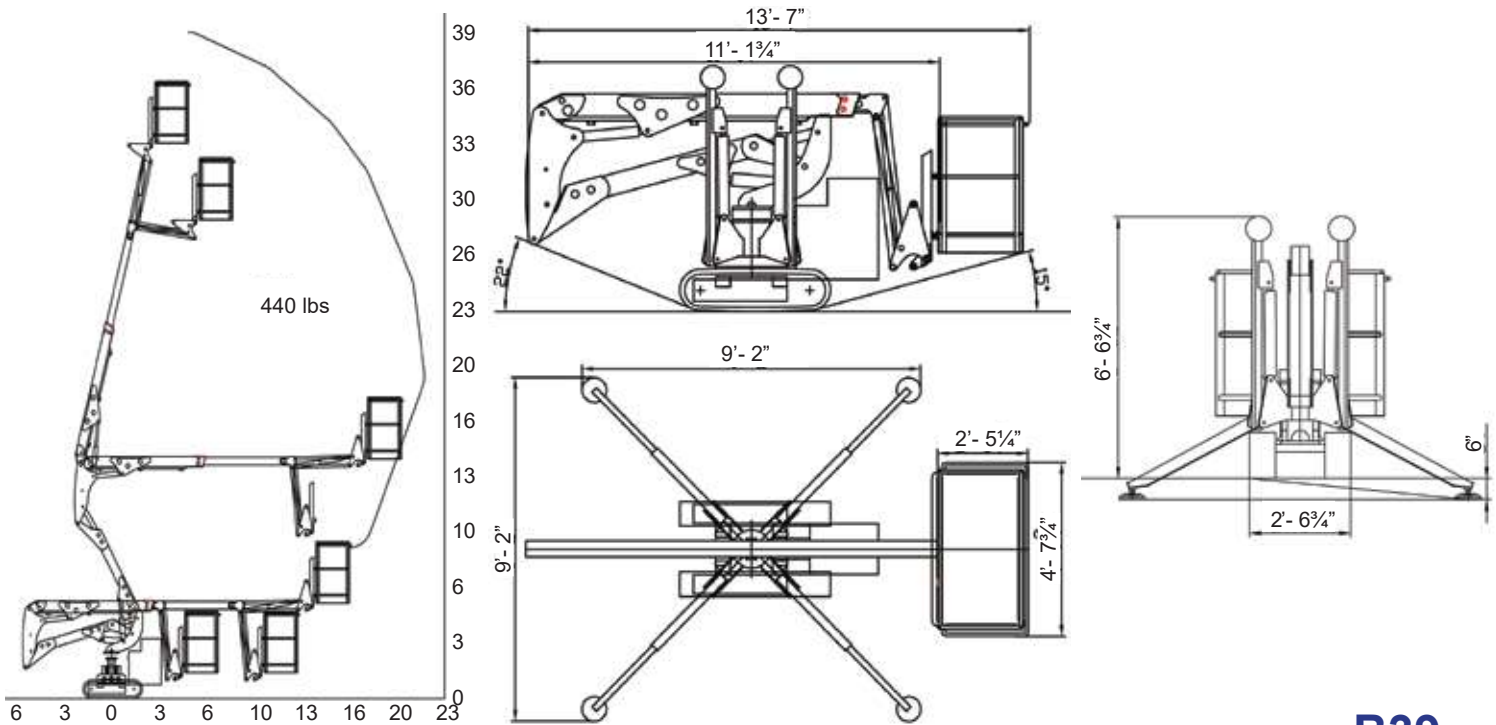
With these unique power choices, the lift works safely indoors with the lithium battery and outdoors with the onboard gas or diesel powered generator.

The innovative electro-hydraulic system gives operators two independent functions simultaneously, all with an advanced, smart controller system.

- Passes through a single door opening (31 inches)
- Automatic outrigger setting
- Full work height with 440 lbs in the basket
- Remote and wireless control
- 110V to the basket
- Set up on uneven surfaces
- Detachable basket
- FMS (Function Memory System)
- Automatic turret center stop

We reserve the right to alterations

Model	B39
Working height	39'
Basket height	33'
Max outreach	21'
Basket load	440 lbs
Basket dims	4'- 7 <sup>3</sup> / <sub>4</sub> " x 2'- 5 <sup>1</sup> / <sub>4</sub> "
Basket rotation	+/-90°
Turret rotation	360°
Height	6'- 6 <sup>3</sup> / <sub>4</sub> "
Length (w/o basket)	11'- 1 <sup>3</sup> / <sub>4</sub> "
Length (w/ basket)	13'- 7"
Width (w/o basket)	2'- 6 <sup>3</sup> / <sub>4</sub> "
Footprint	9'- 2"
Weight (approx)	4,225 lbs
Max pressure, tracks	7.5 psi
Max pressure, footplate	65.3 psi
Track size (per track)	44" x 6 <sup>1</sup> / <sub>2</sub> "
Foot pad size (per pad)	48 <sup>1</sup> / <sub>2</sub> sq-in
110V drive motor	Standard
Honda, iGX440	Standard
Hatz diesel engine	Option
Lithium Battery	Option



# B39 BLUELIFT

## Standard Equipment

- Automatic stability & outreach control
- 180° (+/-90°) basket rotation
- Computer controlled (can-bus)
- Non marking tracks
- Proportional controls
- Self propelled
- 110V drive motor
- Honda iGX440 15HP engine
- 360° non cont. turret rotation
- Manual pump for emergency lowering
- Width of only 2ft7in
- 2 person basket
- Air/water to the basket
- 110V to the basket
- Remote Control
- Space for tools etc in basket
- Full working height with 440lbs in basket

## Optional Equipment

- Hatz diesel engine
- One man basket
- Radio control
- Self-stabilizing system
- Anti-entrapment system
- GO home function
- Kit for orange LED on outriggers
- Lithium battery

## Additional Specifications

Boom angle	0°/ +75°
Oil tank capacity	8 gal
Max windspeed	28 mph
Operating speed	0.9 mph
Travel speed	0.9 mph
Drive gradability	15°/28%
Set-up gradability	5°/9%

