

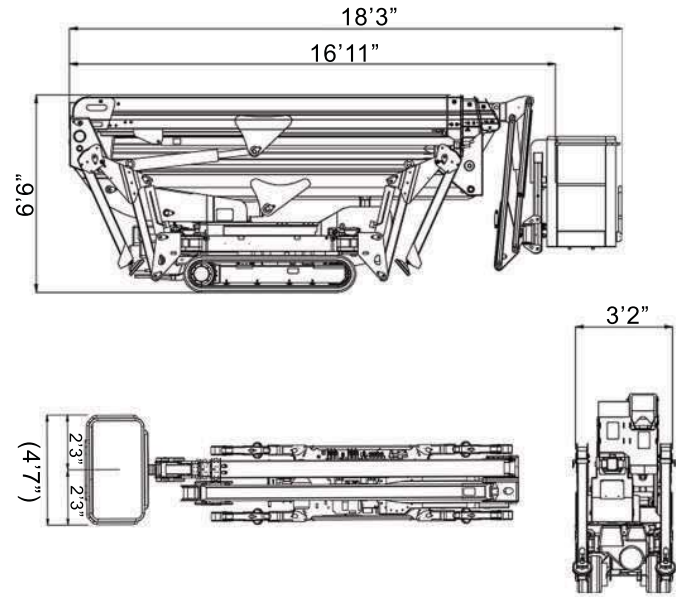
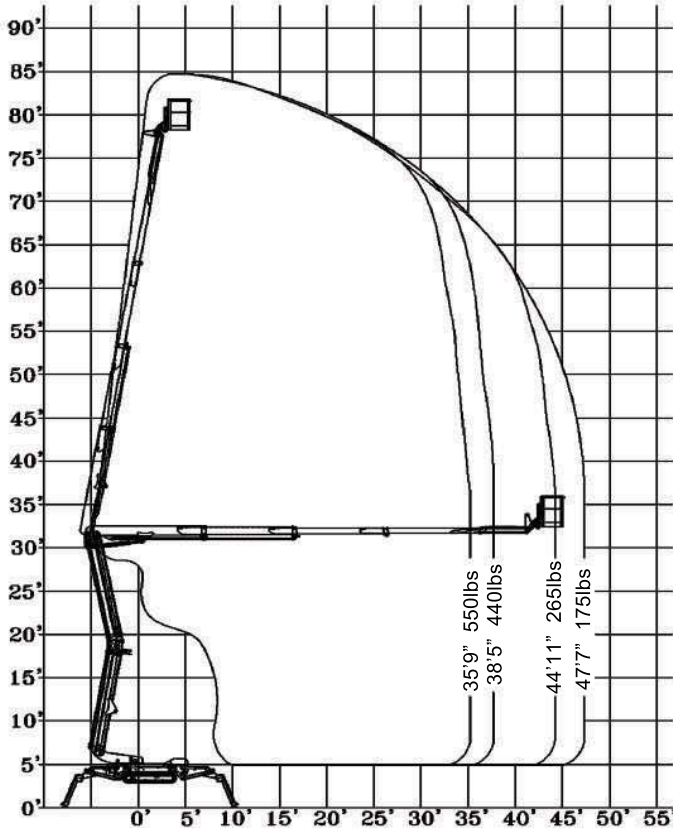


B85 BLUELIFT

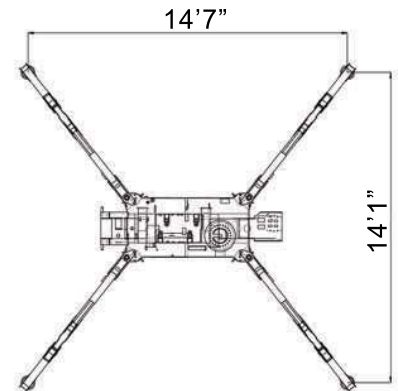
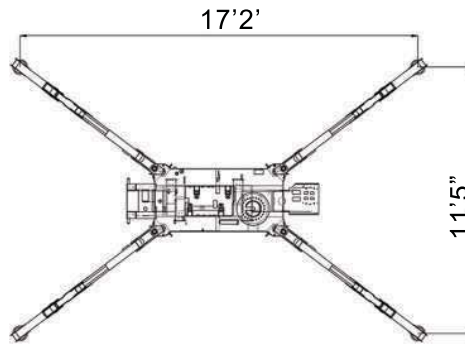
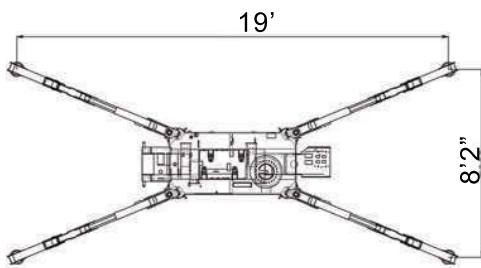
ReachMaster offers the most progressive line of track based aerial lifts from the well-renowned Italian manufacturer Bluelift. The Bluelift features the FIRST EVER compact lift with lithium battery/combustion engine hybrid in the USA. With working heights from 39' to 85', indoor/outdoor use and access through a single or double door, the BLUELIFT series appeals to a broad range of applications: Rental (residential and commercial), window cleaning, building maintenance, tree care and HVAC operations to name a few. The B85 features an innovative electro-hydraulic system which gives the user ability to operate two independent functions at the same time, improved efficiency, the convenience of one controller fits all and many many more.

The new system, coupled with Bluelift's already class-leading Lithium Hybrid technology threatens to revolutionize the world of compact lifts, moving the world of tracked machines closer to the operator, and making these hugely versatile stalwarts of the powered access world more accessible, safer and simpler to use.

Maximum working height	85ft 5in
Maximum platform height	79ft 5in
Maximum outreach	47ft 10in
Lifting capacity	550 lbs
Basket size	Will advise
Basket rotation	+/-80°
Turret rotation	360°
Length (w/ basket)	18ft 3in
Length (w/o basket)	16ft 11in
Width (w/o basket)	3ft 2in
Height	6ft 6in
Weight	7599lbs
Max pressure, footplate	109 psi
Foot pad size (per pad)	48.69 sq in.
110V drive motor	Standard
Honda gasoline engine	Standard
Hatz diesel engine	Optional
Lithium battery	Optional



Outrigger Positions



The BLUELIFT B85 Standard Features Include:

- Honda iGX440 15HP engine
- Now available: Lithium battery and motor
- Hetrionic radio remote control
- Hetrionic control fixed in basket
- Self stabilizing system
- 110V to basket
- Automatic outrigger setting
- Air/water to basket (1 tube)
- Track width adjusting system
- Set up on uneven surfaces
- Automatic turret center stop