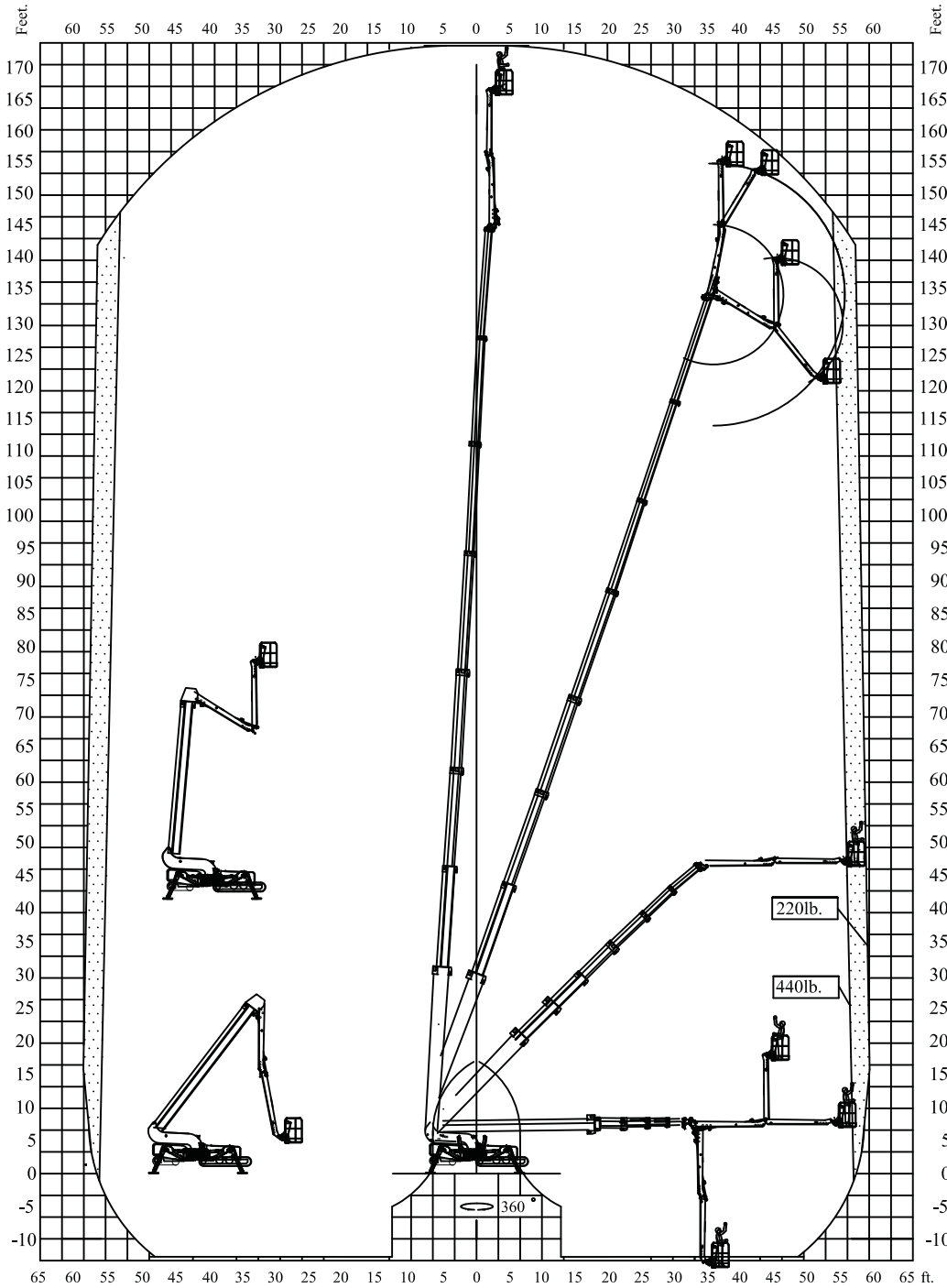
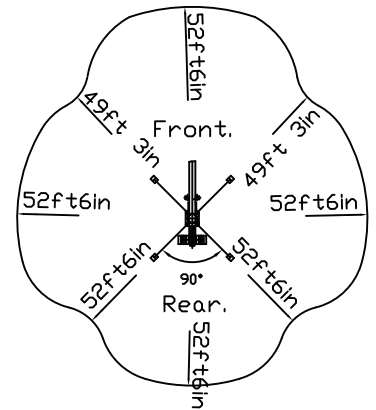


FALCON

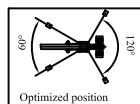
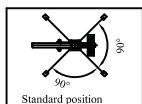
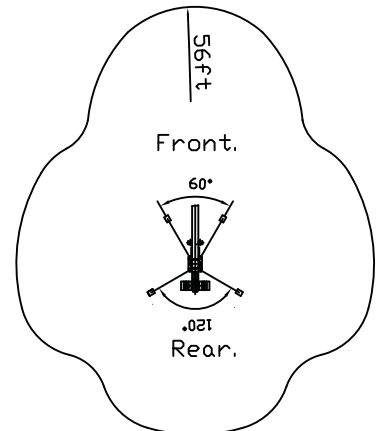
FS 170T




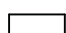
Standard Position



Optimized Position



 Maximum outreach with 100kg. / 220lb. within this zone depending on leg position.

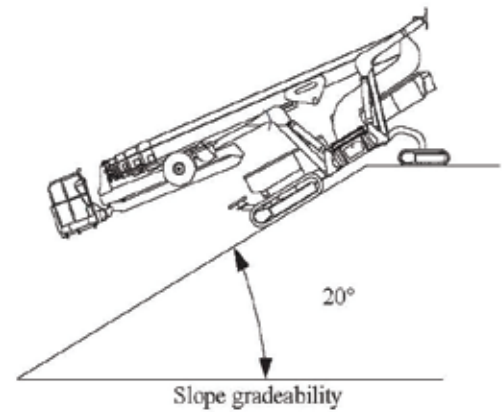
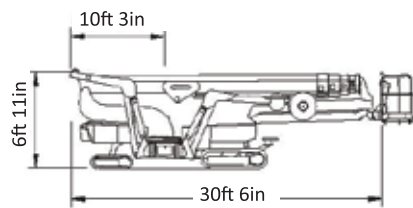
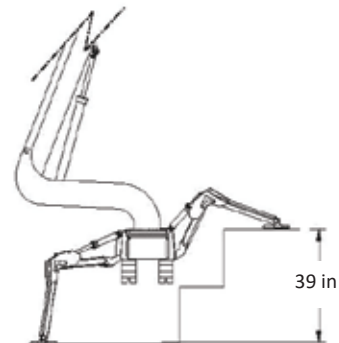
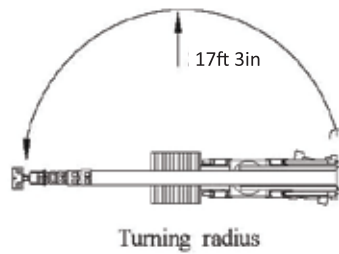
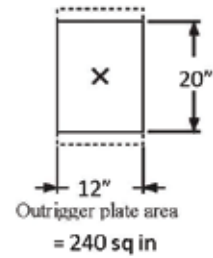
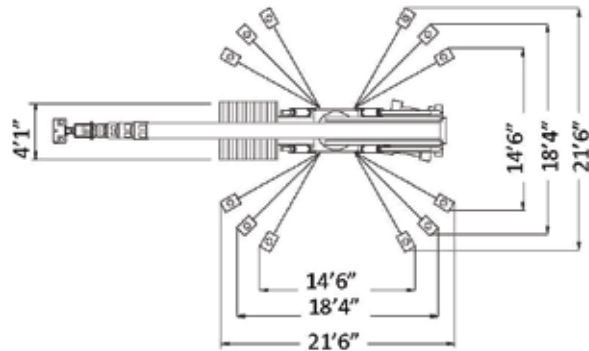
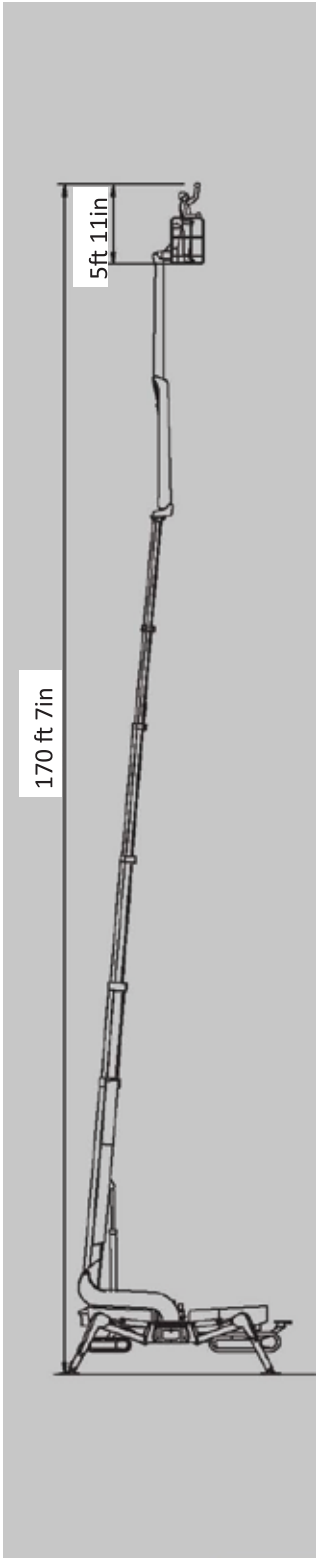
 Maximum outreach with 200kg. / 440lb. within this zone depending on leg position.

We reserve the right to make alterations.

We reserve the right to alterations

FALCON

FS170T



Additional info:

Weight and ground pressure:

Weight with standard equipment	29,736 lbs
Surface pressure under crawlers (soft surface)	12.1 psi
Surface pressure under crawlers (hard surface)	17 psi
Max. ground pressure under 1 outrigger plate	51.2 psi

We reserve the right to alterations