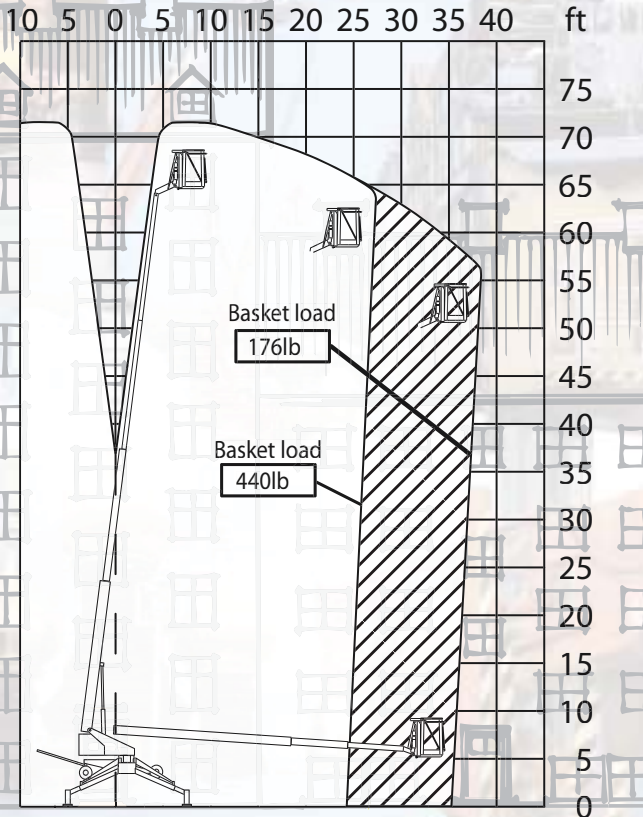
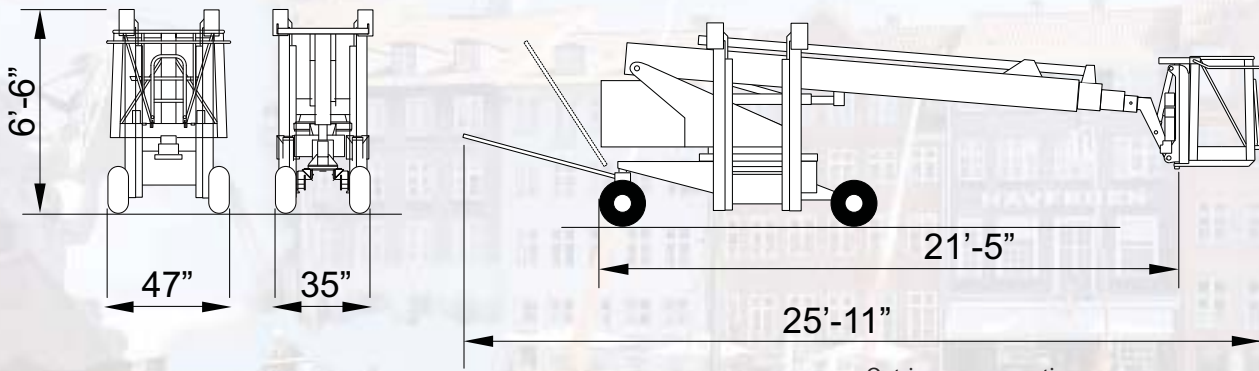
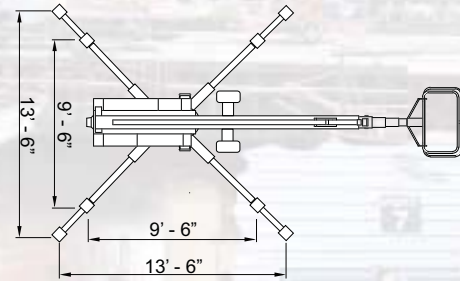


Model DL72N

Technical data



Outrigger cross section



DL72N Standard Model

Working Height	72'
Horizontal Reach (440 lbs in Basket)	27' 2"
Horizontal Reach (176 lbs in Basket)	38' 8"
Length (Transport Mode)	21' 5"
Width (Transport Mode)	35"
Height (Transport Mode)	6' 6"
Turning Radius	8' 6"
Weight	5060 lbs
Wheel Bearing Pressure	41.5 psi
Outrigger Bearing Pressure	87.5 psi
Wood Foot Plate Bearing Pressure	15.3 psi
Maximum Climbing Angle	12° / 21%

STANDARD EQUIPMENT

- Rotating Detachable Aluminum Basket
- Battery Operation
- Proportional Control
- Hydraulic Outriggers
- Hydraulic Wheel Drive
- ELCB 30mA
- Hour Counter
- Charging Key
- Yellow Rotating Light

OPTIONAL EQUIPMENT

- Variable Outrigger Position
- Current Supply
- Outlets for Air/Water in Basket
- Height Limiting System, 2 Steps
- Diesel Engine 5.0 kW
- Special Color
- Yellow Flashing Light on Outriggers
- High Capacity Battery
- Biodegradable Hydraulic Oil
- Adjustable Basket from Ground Level